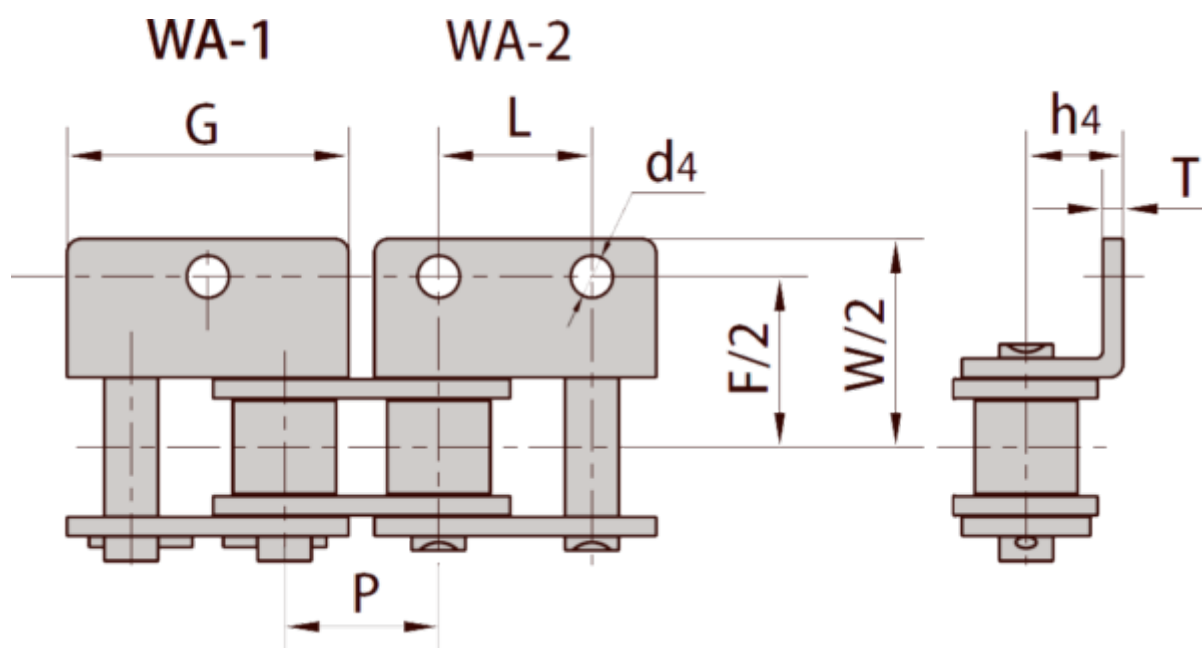


Article number: 6100110071031

Description: 12B1

WA1 angled one hole attachment link, spring clip type

Measures



D4 = 6.40
F = 38.10
G = 34.05
H4 = 13.46
L = 19.050
P = 19050
T = 1.85
W = 52.4